

Season to Season

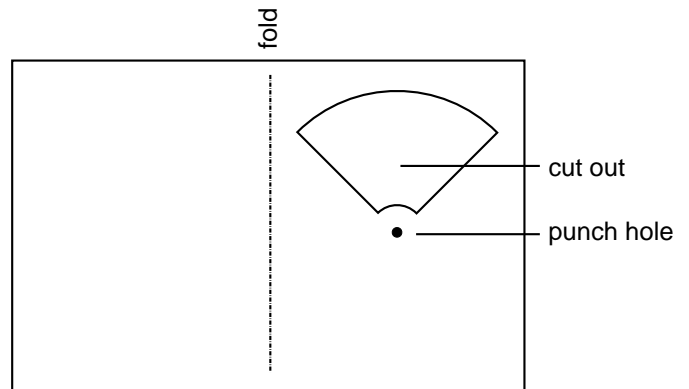
Activity BLM: A Wheel Book

Materials

- *Season to Season* BLM pages 2 and 3
- 8.5" x 11" white bristol board
- 11" x 17" bristol board, assorted colours
- scissors, glue
- spread fastener
- 3" x 7" writing paper (4 per book)

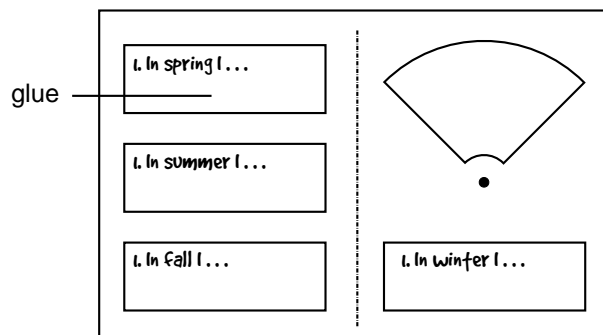
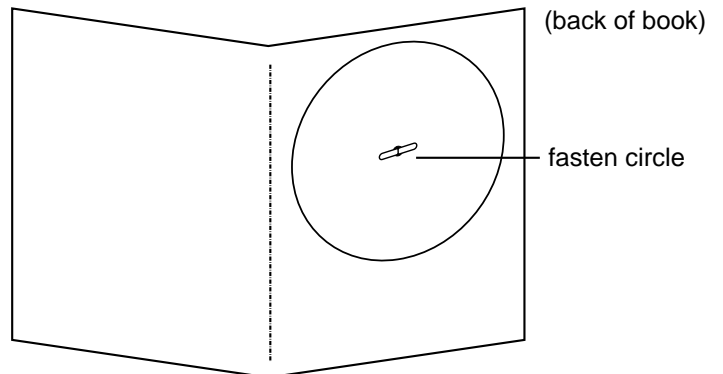
Directions

1. Use BLM page 2 as a template to make a circle on white bristol board. Cut it out.
2. Fold coloured bristol board in half.
Use BLM page 3 as a template to show position of cutout on inside cover of bristol board.
3. Use fastener to attach circle to back of folder.
It may be necessary to pencil in lines for each picture onto white circle to help students know where to draw.
4. Glue writing papers to inside of book.
5. Illustrate each on circle.
6. Title/illustrate cover of wheel book.



Language Activity

Students write about their own activities during each of the 4 seasons and illustrate each.



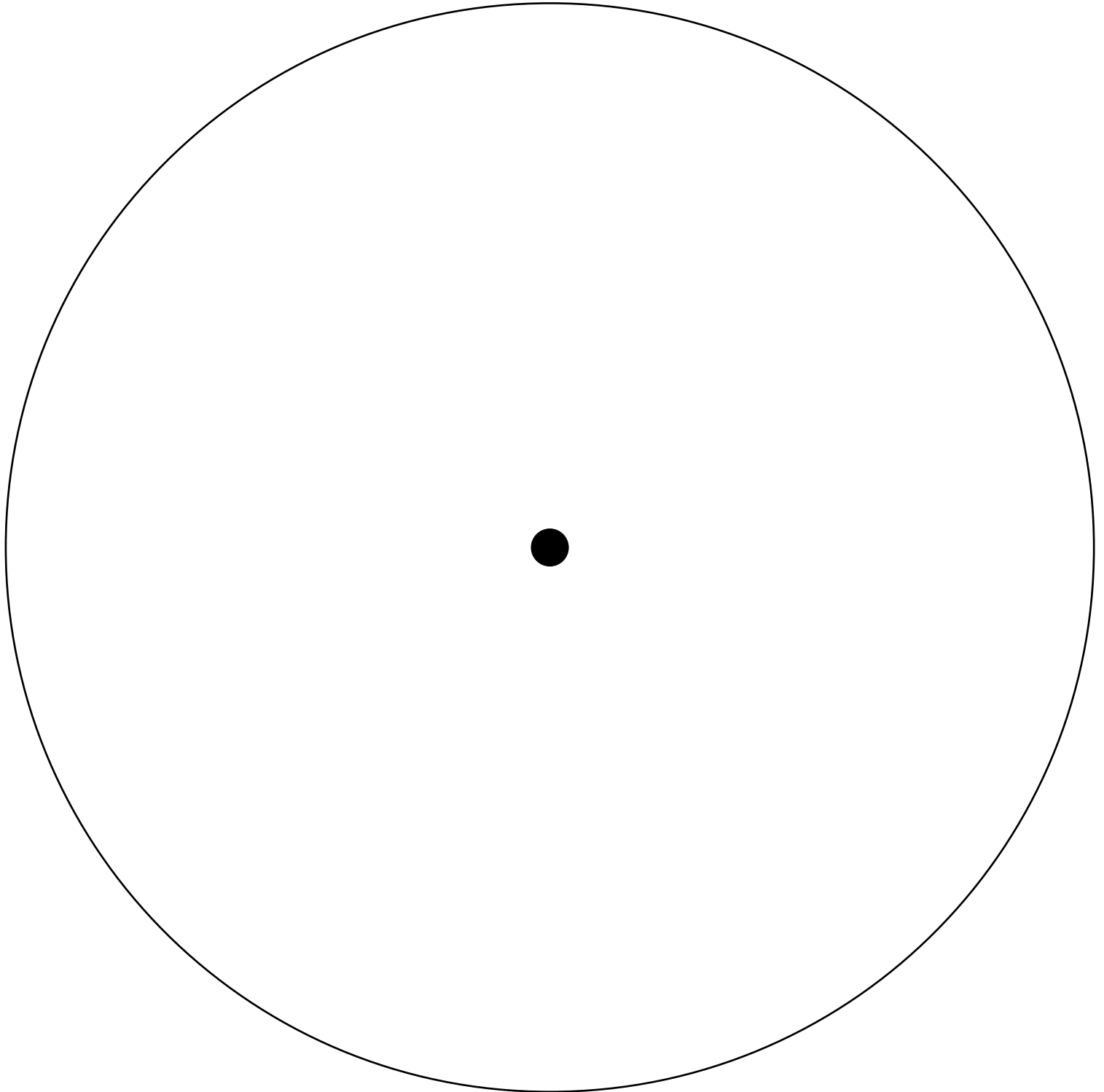


Season to Season

Activity BLM: A Wheel Book

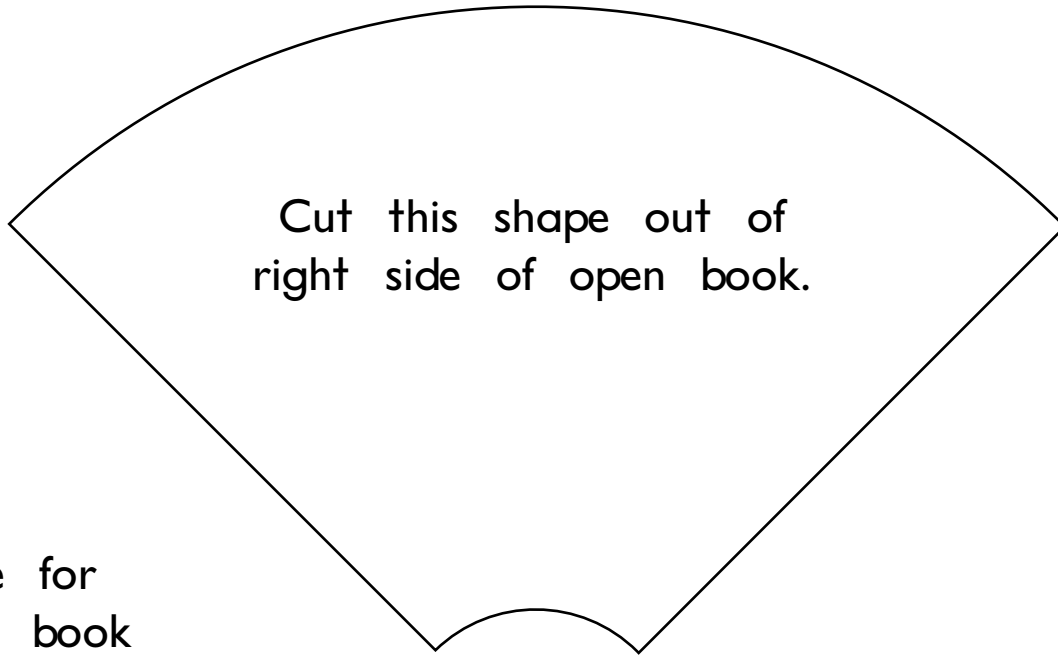
Page 2

Grade 1



Season to Season

Activity BLM: A Wheel Book



Template for
inside of book



← spread fastener hole